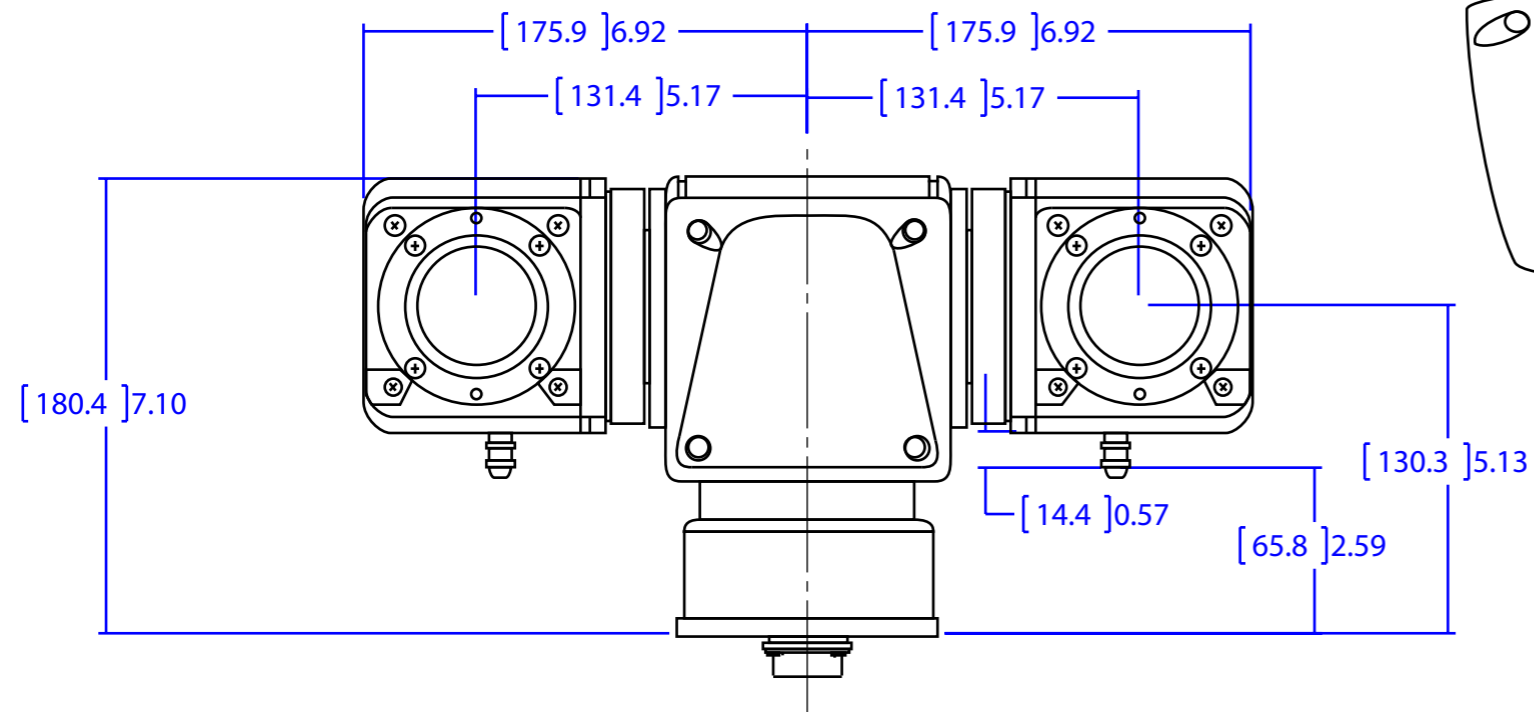
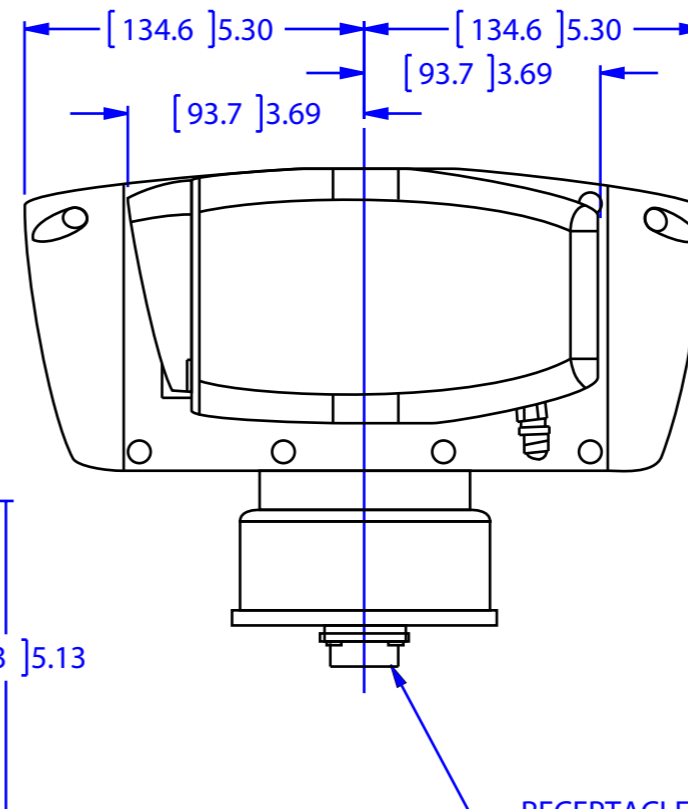
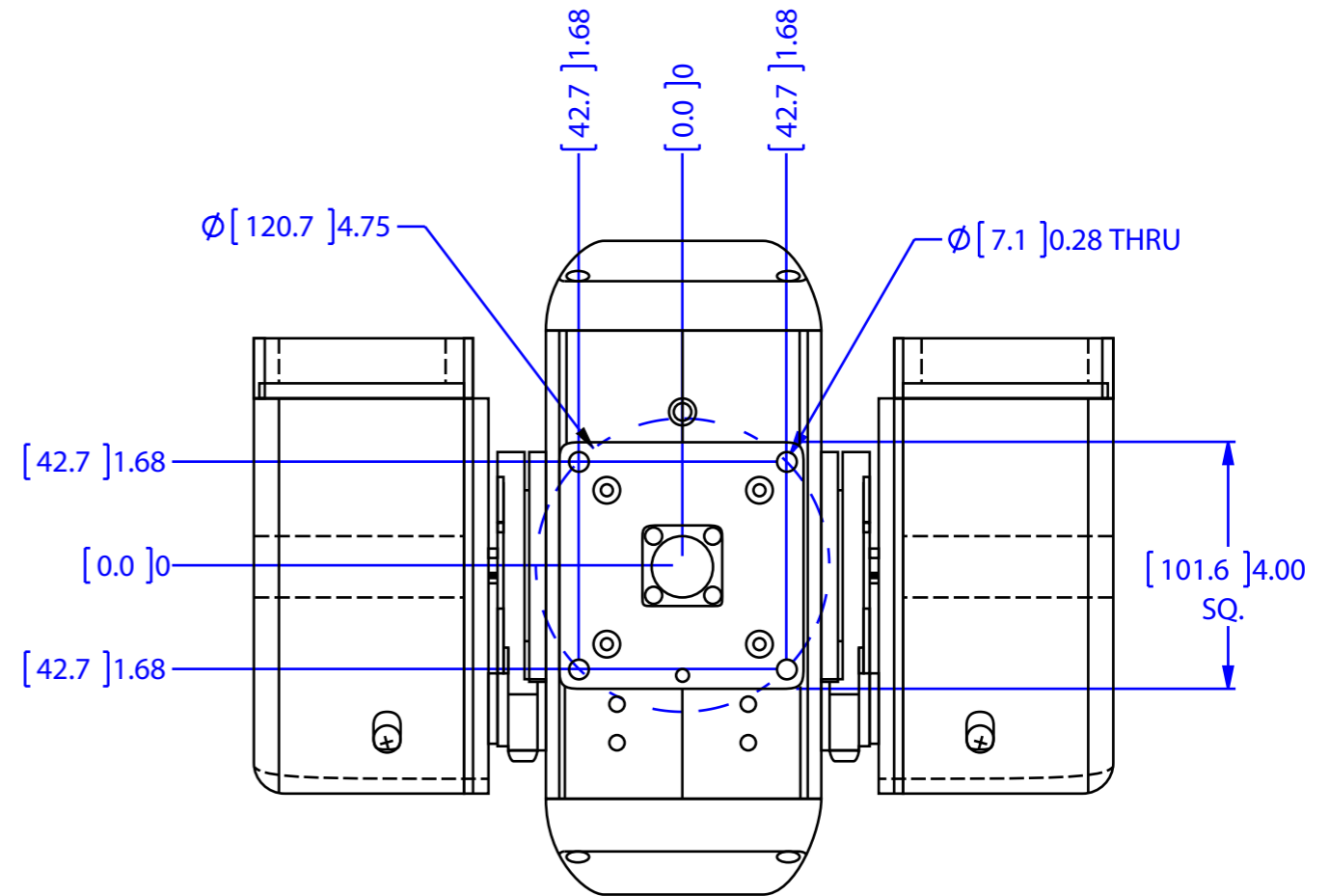
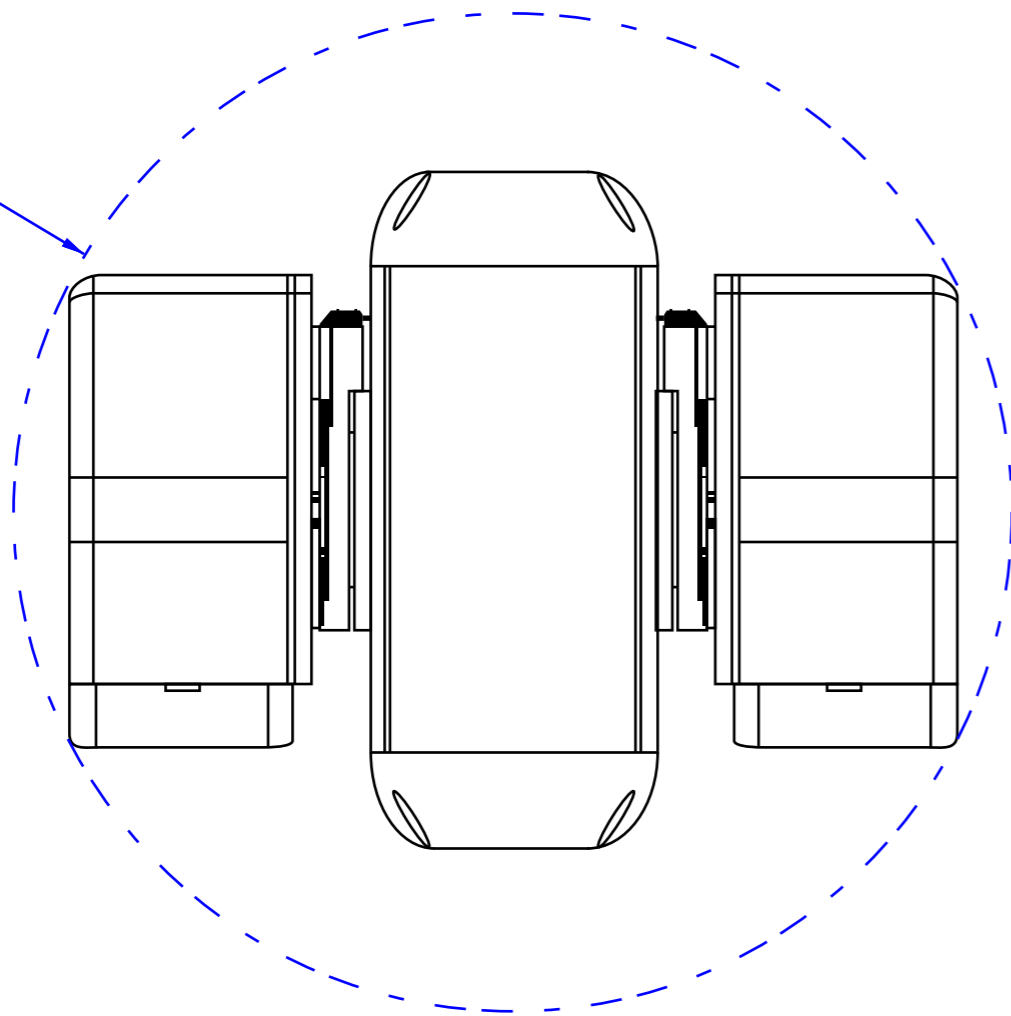


$\Phi [395.8] 15.58$



RECEPTACLE QUICKSET: QS04385
26PIN 16SHELL: MS3112E16-26P
MATES WITH
QUICKSET: QS04387
26 SOC 16 SHELL: KPT06F16-26S