

EX0 Pressurized HD Camera

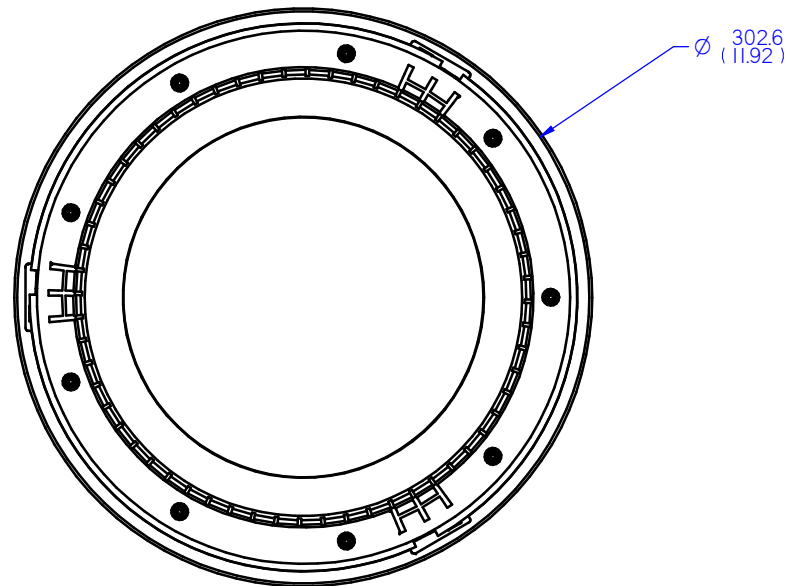
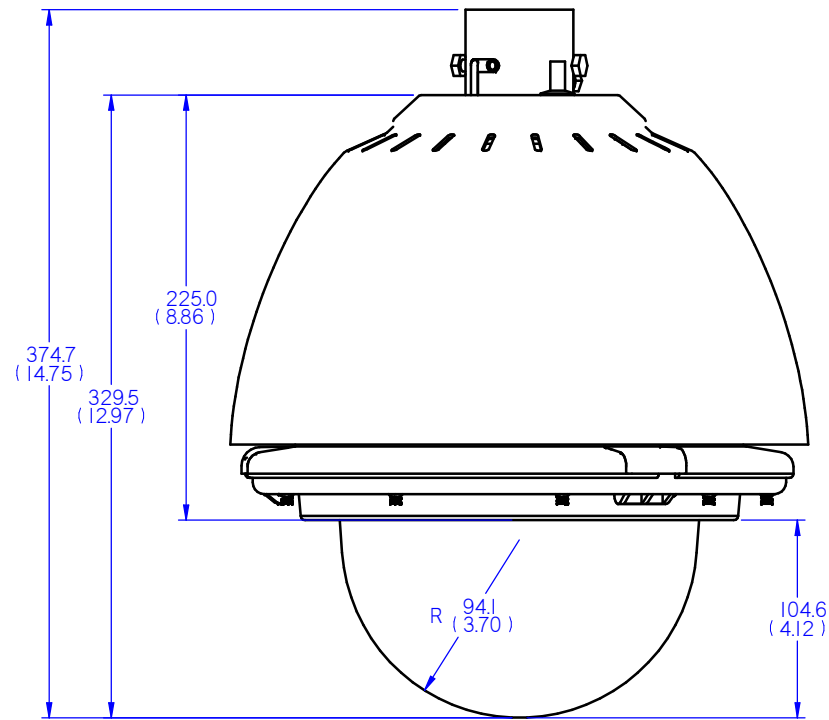
THIS DRAWING COVERS THE FOLLOWING MODELS:

EXPF7C2-2

EXPF7C2-3

PROPRIETARY AND CONFIDENTIAL

This technical Data/Drawing/Document contains information that is proprietary to, and is the express property of Moog Inc. or Moog Inc. subsidiaries except as expressly granted by contract or by operation of law and is restricted to use by only Moog employees and other persons authorized in writing by Moog or as expressly granted by contract or by operation of law. No portion of this Data/Drawing/Document shall be reproduced or disclosed or copied or furnished in whole or in part to others or used by others for any purpose whatsoever except as specifically authorized in writing in writing by an authorized signatory of Moog Inc. or Moog Inc. subsidiaries.



Specifications on this page are subject to change without notice. Every attempt has been made to ensure the accuracy of this drawing, however MOOG, Inc. cannot be held responsible for typographical errors

MOOG

770.987.7550 www.moogS3.com