



With Sunshield



Both models
are shown
with OPTIONAL
wall mount

Pressurized Models NOT shown

Fusion Stainless Steel Dome Corrosion Resistant Outdoor Housing

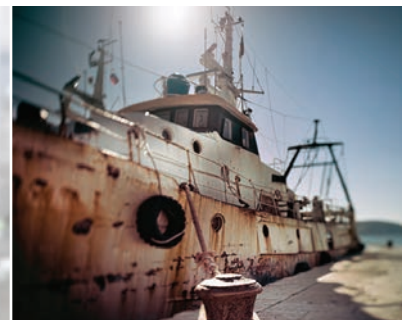
The Fusion Stainless Steel (SS) Dome is designed to protect surveillance cameras in the harshest environments while supporting crystal-clear video capture. Corrosive marine and coastline applications, as well as heavily-saturated chemical environments are no match for the 316 L SS housing and sunshield; nor the specially-engineered, optically-clear lower dome. The lower dome offers both better optics, and more resistance to harsh chemicals than traditional acrylic and polycarbonate domes.

This IP67-rated camera housing is the perfect solution for surveillance applications in marine, medical, pharmaceutical, food processing, transportation, and even oil / gas processing environments. A pressurized model eliminates the negative effects of contamination. An IK-10 impact rating allows the Fusion Stainless Steel Dome to thrive, in adverse urban environments.

Being part of the Moog Fusion line: the Stainless Steel Dome is compatible with most camera manufacturers' PTZ lines.

Available Features

- 316 L SS construction guards against harsh environmental conditions
- Offers protection against corrosive chemicals
- With impact resistance that rivals polycarbonate, the optically clear and durable lower dome is manufactured from chemical-resistant engineered plastic. (The dome is resistant to most organic solvents and alkalis, unaffected by petroleum fractions, oils and fats. Resistant to dilute mineral acid and most organic acids.)
- Thermostatically controlled 24Vac heater and blower (outdoor models)
- Standard pendant mount (1½" male pipe thread)
- Optional SS wall mount
- Pressurized models available
- Meets NEMA type 4X/6 and IP67 standards
- IK-10 impact rated



Stainless Steel Dome Dome

A fixed version is available for all models

Models:

SSDP75CN

Stainless steel dome, pendant mount, no electronics

SSDP75C2N

Stainless steel dome, pendant mount, 24Vac input, heater and blower

SSDP75C2NY

Stainless steel dome, pendant mount, 24Vac input, heater and blower, sunshield

Pressurized Models:

SSDP75C2N

Pressurized stainless steel dome housing, pendant mount, 24Vac input, heater and blower

SSDP75C2NY

Pressurized stainless steel dome housing, pendant mount, 24Vac input, sunshield, heater and blower

Values and Benefits:

- No rust or corrosion. High grade 316 L SS used throughout
- Vandal resistant, IK-10 impact rated
- Meets NEMA type 4X/6 and IP67 standards
- Fits most popular PTZ cameras
- High performance in hostile environments
- High performance clear dome
- Includes: 120 to 24Vac, 96 watts transformer

Accessories:



WM10SS

Stainless steel wall mount

Pressurization Values and Benefits:

Pressurization eliminates the effects of moisture, dirt, and pollution on valuable camera equipment. The Pressurized Stainless Steel Dome is designed to keep most minute foreign objects from entering the enclosure by maintaining constant pressure within the inner housing area, via an inert gas.

General Specifications

| | |
|------------------|------------------------|
| Camera Included: | No |
| Environmental: | Yes |
| Mounting Style: | Pendant mount, 1.5 NPT |

Mechanical Specifications

| | |
|--------------------------------|---------------------------------------|
| Size (h*w): | 14.3" x 11.3" (364 x 288mm) |
| Weight: | 14.3 lbs (6.5 Kg) |
| Construction Body: | 316 L Stainless steel |
| Construction Top: | 316 L Stainless steel |
| Housing Style: | Dome |
| Mounting Bracket Construction: | 316 Stainless steel |
| Trim Ring: | 316 Stainless steel |
| Dome Construction: | Opti-clear special engineered plastic |

Electrical Specifications

| | |
|-------------------|---|
| Input Voltage: | 24Vac input model |
| Power Consumption | 24Vac: 52 watts: Heater & Blower |
| Power Output | 24Vac: Same as input, minus power for Heater & Blower |

Environmental Specifications

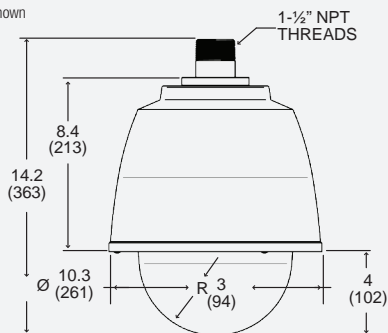
| | |
|---------------------------------|---|
| Blower: | Yes (Continuous) |
| Effective Projected Area (EPA): | 110 square inches |
| Heater: | Yes (Outdoor models) |
| Heater activates at: | 60°F (15.5°C) |
| Heater deactivates at: | 80°F (27°C) |
| IP rating (Weather rating): | IP67 |
| Maximum Windload: | 150 mph (240 kph) |
| Operating Temperature: | -50°F to 120°F (-45.5°C to 49°C) |
| Operating Humidity: | Up to 100% (desiccants on both normal and pressurized models) |

Shipping Specifications

| Model | Shipping Weight | Box Dimensions |
|------------|-----------------|-------------------------------------|
| SS Series: | 18 lbs (9.1Kg) | 13" x 13" x 15" (330 x 330 x 381mm) |

Dimensional Drawings (Without Sunshield)

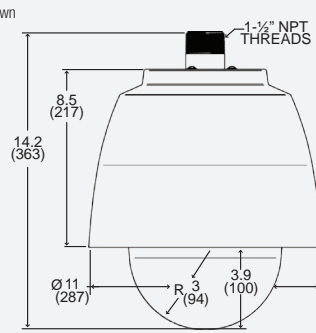
Pressurized Model NOT shown



Dimensions are in inches (mm)

Dimensional Drawings (With Sunshield)

Pressurized Model NOT shown



Dimensions are in inches (mm)

Regulatory and Certifications



CE



CUL

NEMA

NEMA Rating



RoHS



UL Listed



WEEE

REACH

REACH

MOOG

Sensor and Surveillance Systems

3650 Woodhead Drive Northbrook, IL, USA 60062

+1.847.498.0700 Fax: +1.847.498.1258 www.moogS3.com