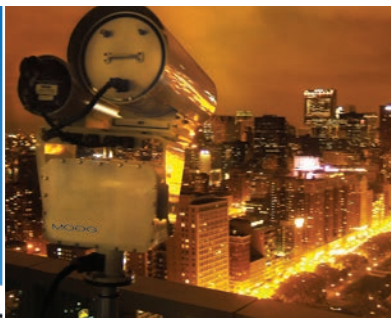




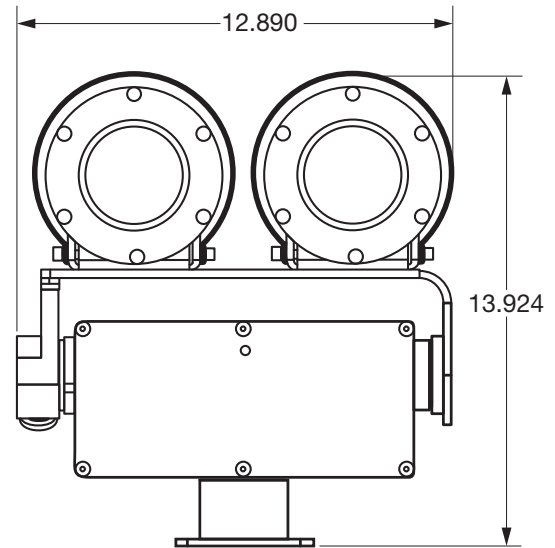
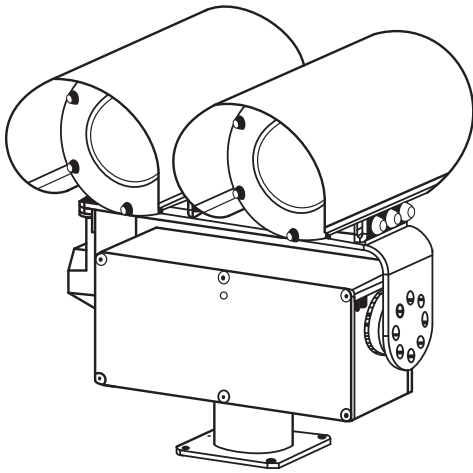
QPT-35 Series Pan & Tilt Positioners

The QPT-35 provides rugged, durable performance for short to mid-range imaging applications. It is also ideal for positioning smaller antennae in almost any environment. The QPT-35 excels in operations where situational awareness is the key to success.

The QPT-35 can support both single and dual payloads. Its high payload to positioner weight ratio of more than 3:1 for fixed installation optimizes the efficiency of fielding a system. It delivers great pointing repeatability to less than 0.05 degrees. The QPT-35 is also designed and tested for mobile use making it a well rounded product.



QPT-35 Series



Standard Performance

Weight:	12.2 lbs
Load Torque:	35 lb-ft
Operating Voltage:	24VDC (± 2 VDC)
Pan-Axis Range:	Continuous Rotation
Pan-Axis Speed:	0.005° – 25°/sec (faster with lighter loads)
Tilt-Axis Range:	180° ($\pm 90^\circ$)
Tilt-Axis Speed:	0.005° – 7°/sec (faster with lighter loads)
Repeatability:	<0.05° (Pan / Tilt)
Operating Temperature:	-32°C to 55°C

Tilt Connector Features

Port A	Port B
Full featured serial control of single sensor	Serial pass-through
Motor drivers for camera lens zoom and focus control	Wired for power and video
One auxiliary relay control for wiper, illuminator	

Serial IP Features

Microprocessor Control
Software controlled with status feedback
Serial Communication: (RS232 / 422 / 485) and IP
Control Protocols: QuickSet and Pelco D
2 programmable tours and 32 presets

Mil-Spec Shock & Vibration

Passed Shock: MIL-STD-810F Meth.516.5
Passed Vibration: MIL-PRF-49256A

MOOG

Sensor and Surveillance Systems

3650 Woodhead Drive, Northbrook, IL 60062-1895 USA

+1.847.498.0700 Fax: +1.847.498.1258

www.moogS3.com