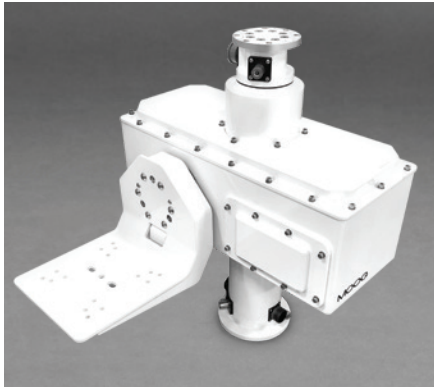


TAURUS®-R PAN & TILT MOBILE POSITIONER



Designed and built to endure the harshest mobile or stationary environments, the Taurus design enables simple integration into existing QPT systems and allows for various platform mounting applications.

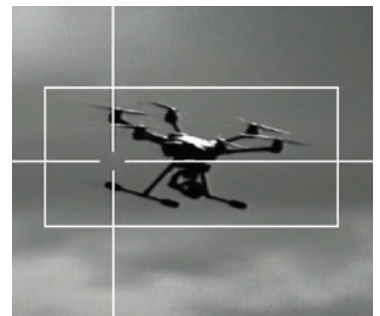
The Taurus-R supports radar or other payloads that can be independently positioned from the pan & tilt.

AVAILABLE FEATURES

- RF pass-thru turret
- Balanced payloads; up to 150 lbs. mobile installations
- Fixed or mobile installations
- Mil-Spec connectors
- Marine configuration that meets IP-67 standards
- Universal wiring for sensor integration
- Thermostatically controlled heaters
- Dual HD-SDI output

SENSOR INTEGRATION

- Radar antenna systems
- Multi-Spectrum cameras (visible / IR)
- IR and visible illuminators
- Laser range finders
- Communication antennas
- Acoustic devices



TAURUS-R SERIES

STANDARD PERFORMANCE

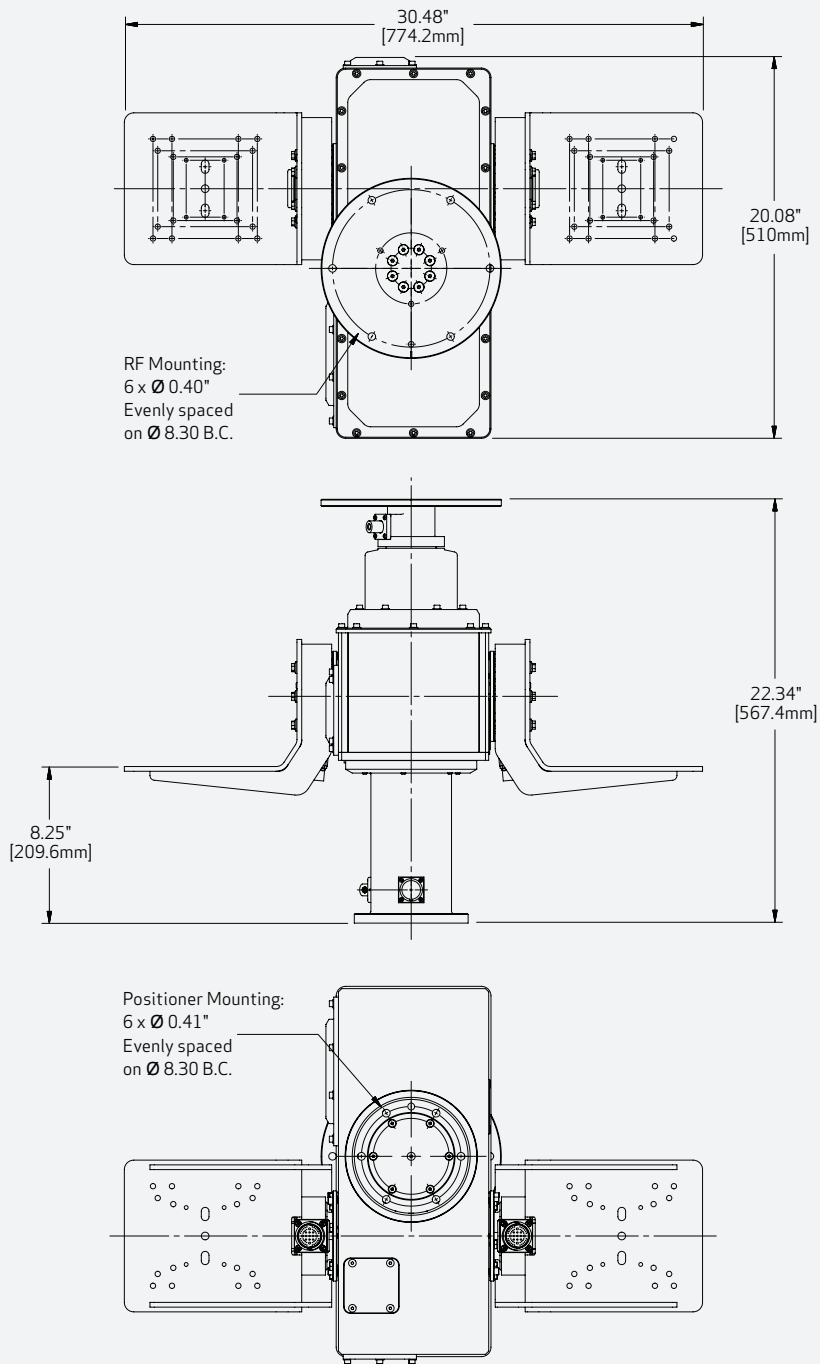
Features	Specifications
Load Capacity	Static and mobile applications – up to 150 lbs. (68 kg) balanced
Operating Voltage Range	24 VDC (± 4 VDC)
Total Power	Power on inrush: 6.5A – in motion: 8.6A - standby: 0.5A
Pan-Axis Range	360° continuous rotation (slip ring)
Pan-Axis Speed	0.005° – 60°/s (dependent on payload)
Tilt-Axis Range	180° (±90°)
Tilt-Axis Speed	0.005° – up to 60°/s on balanced payload
Internal Heater	Thermostatically controlled 0°C (32°F) ON • 5°C (41°F) OFF
Operating Temperature	-32°C to +55°C (-26°F to 131°F)
Rotational Limits	Fixed tilt hard limit, adjustable soft limits on both axes
Feedback	Optical encoders (0.01° readout)
Repeatability	0.05°
Motor Type / Drive	Stepper
Communication to Pan & Tilt	RS232 / 422 / 485, IP ethernet: 10/100 Base-T
Communication to Sensors	RS232 / 422, ethernet pass-through
Control Protocol	Moog PTZ or Pelco D
Connector Specifications	Mil-Spec grade used on all configurations
Load Connector Interfaces	2 Mil-Spec connectors on each tilt axis platform
Materials	Housing 6061-T6 aluminum, stainless steel hardware, permanently sealed radial ball bearings
Finish / Color	White powder coat paint over alodined chromate for corrosion resistance standard. Other colors and CARC available upon request.
Weight	94 lbs. (43 kg)
Dimensions	See page 3
Test Cable and Software	6 ft test cable and software include
Duty Cycle	This positioner is designed for periodic movement. For applications requiring constant motion, please contact our team for solutions tailored to your use case and environment.

STANDARD PERFORMANCE

Features	Specifications
Vibration	Pending
Mechanical Shock	Pending

Note: Environmental testing procedures in accordance with MIL-STD-810H

ARCHITECTURAL AND DIMENSIONAL DRAWINGS



Optional payload mounts shown are optimized for specific sensors and are subject to change. Shown for reference only.

LOCATIONS

Argentina	India	South Africa
Australia	Ireland	South Korea
Austria	Italy	Spain
Brazil	Japan	Sweden
Canada	Luxembourg	Switzerland
Finland	The Netherlands	United Arab Emirates
France	Norway	United Kingdom
Germany	Philippines	United States
	Singapore	

MOOG

SPACE AND DEFENSE GROUP

3650 Woodhead Drive Northbrook, IL, USA 60062-1895
+1.847.498.0700 Fax: +1.847.498.1258
s3insidesales@moog.com
www.moogS3.com



Moog Space and Defense



@MoogSDG



@MoogSDG



@MoogSDG



@MoogInc

Equipment described herein falls under the jurisdiction of the EAR and may require US Government Authorization for export purposes. Diversion contrary to US law is prohibited.

© 2021 Moog, Inc. All rights reserved.
Product and company names listed are trademarks or trade names of their respective companies.
Specifications are subject to change, to confirm current call +1 847.498.0700.