

QPT-50 PAN & TILT POSITIONER



The QPT-50 Series of pan & tilt positioners is designed for a wide variety of applications. They are rugged and durable for virtually any harsh environment. The QPT-50 can handle payloads up to 50 lb-ft. of torque making it suitable for a wide range of sensors. Integrated Control (IC) units communicate via networked PC or through a separate controller.

AVAILABLE FEATURES

- Payloads up to 50 lb-ft. (67.8 Nm)
- Digital integrated controller
- Formed table top
- Fixed or inverted installations
- Mil-Spec connector
- Housing and gearing for durability in harsh environments

SENSOR INTEGRATION

- Multi-Spectrum cameras (Visible / NIR / SWIR)
- Thermal imagers (LWIR)
- IR and visible illuminators
- Laser range finders
- Communication antennas
- Acoustic devices



QPT-50

PERFORMANCE

Features	Model 7-62100
Payload capacity	50 lbs.
Payload torque	50 lb-ft. (68 Nm)
Pan range of motion	435°
Pan speed range @ rated voltage	1°-25°/s
Tilt range of motion	180° (±90°)
Tilt speed range @ rated voltage	0.4°-7°/s
Repeatability	0.25°
Positioning resolution	0.1°
Position feedback	Potentiometers
Hard limits (Mechanically adj.)	Pan & Tilt
Soft limits (Software adj.)	Soft limits (Software adj.)
Duty cycle	This positioner is designed for periodic movement. For applications requiring constant motion, please contact our team for solutions tailored to your use case and environment.

POWER

Features	Model 7-62100	
Operating voltage	24 VDC (± 2 VDC)	
Power consumption (Approx) *Simultaneous pan & tilt move, fully loaded, without payload power	Idle	24 watts (1A)
	*Continuous	60 watts (2.5A)
	*Peak	156 watts (6.5A)
	Heaters	65 watts (2.7A)
Regulated power to payload	Not an applicable specification for this product	
Pass through power to payload		

COMMUNICATION

Features	Model 7-62100
Communication method to positioner	RS232/RS422
Protocol	PTR-20/90 or PTCR-20
Communication to payload	Not an applicable specification for this product
Other pass through from base connector: (TP = twisted pair)	
Video connection	

PHYSICAL PROPERTIES

Features	Model 7-62100
Weight (w/o payload)	22 lbs. (10KG)
Dimensions	11" W x 10.92" H x 7.87" D
Drive system	PM brush motors, hardened steel worm gear drive

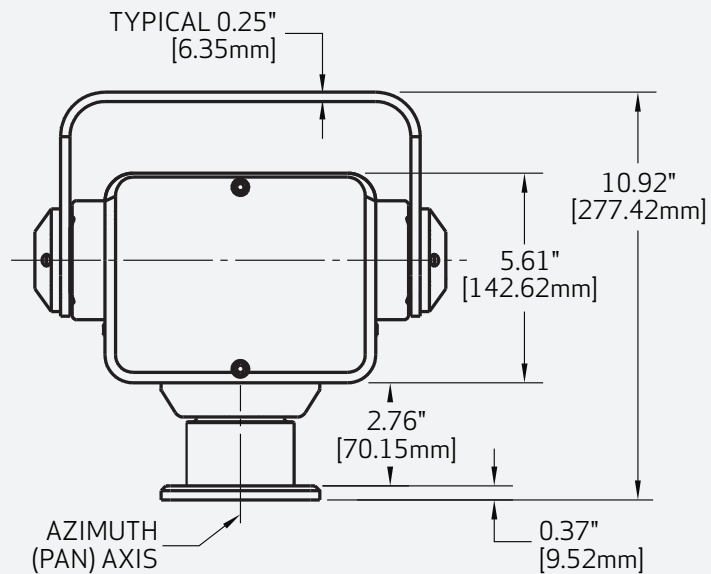
CONSTRUCTION

Features	Model 7-62100
Material	Aluminum 6061-T6 extrusion, stainless steel hardware, permanently sealed radial ball bearings
Exterior finish	Powder coat paint (STD.), customer specified color

ENVIRONMENTAL

Features	Model 7-62100
Operational temperature	-15°C to 55°C (5°F to 131°F) without heater -30°C to 55°C (-22°F to 131°F) with heater
Environmental classification	IP66

ARCHITECTURAL AND DIMENSIONAL DRAWING



LOCATIONS

Argentina	India	South Africa
Australia	Ireland	South Korea
Austria	Italy	Spain
Brazil	Japan	Sweden
Canada	Luxembourg	Switzerland
Finland	The Netherlands	United Arab Emirates
France	Norway	United Kingdom
Germany	Philippines	United States
	Singapore	

MOOG

SPACE AND DEFENSE GROUP

3650 Woodhead Drive Northbrook, IL, USA 60062-1895
+1.847.498.0700 Fax: +1.847.498.1258
s3insidesales@moog.com
www.moogS3.com



Moog Space and Defense



@MoogSDG



@MoogSDG



@MoogSDG



@MoogInc

Equipment described herein falls under the jurisdiction of the EAR and may require US Government Authorization for export purposes. Diversion contrary to US law is prohibited.

© 2021 Moog, Inc. All rights reserved.
Product and company names listed are trademarks or trade names of their respective companies.
Specifications are subject to change, to confirm current call +1 847.498.0700.