

QPT-90 SERIES PAN & TILT POSITIONER



The QPT-90 Series of pan & tilt positioners is a high performance and versatile platform designed for a wide variety of positioning and sensor support applications. The QPT-90 supports payloads requiring 90 foot pounds of torque.

Multiple models are available for specific requirements. Integrated control processor (IC) unit features sensor serial control, lens drive and power supply interfaces making sensor integrations quick and easy. Integrated control unit communicates via serial or IP networked communications or dedicated joystick controller (Unicom™ controller). Analog units are effective solutions where simple command and control are required without a PC.

KEY FEATURES

- Payloads up to 90 lb-ft. (122 Nm)
- Analog driven or digital integrated controller (IC) models
- Mounting platforms include plain formed table top or table top with single tilt-axis connector
- Fixed, inverted or mobile installations
- Mil-Spec connectors
- Thermostatically controlled heaters

SENSOR INTEGRATION

- Multi-Spectrum cameras (Visible / NIR / SWIR)
- Thermal imagers
- IR and visible illuminators
- Laser range finders
- Communication antennas
- Acoustic devices



QPT-90 SERIES

PERFORMANCE

Features	Model 7-58000	Model 7-59005	Model 7-59206	Model 7-7400B
Payload capacity	90 lbs.			
Payload torque	90 lb-ft. (122 Nm)			
Pan range of motion	435°			
Pan speed range @ rated voltage	8°/s	0°-8°/s	0°-8°/s	1.5°-8°/s
Tilt range of motion	180° (±90°)			
Tilt speed range @ rated voltage	3°/s	0°-4.5°/s	0°-3°/s	1°-3°/s
Repeatability	N/A			0.25°
Positioning resolution	N/A			0.1°
Position feedback	N/A	Potentiometers		
Hard limits (Mechanically adj.)	Pan & Tilt			
Soft limits (Software adj.)	N/A			Pan & Tilt
Duty cycle	These positioners are designed for periodic movement. For applications requiring constant motion, please contact our team for solutions tailored to your use case and environment.			

POWER

Features	Model 7-58000	Model 7-59005	Model 7-59206	Model 7-7400B	
Operating voltage	115 VDC	0-24 VDC	0-115 VDC	24 VDC (± 2 VDC)	
Power consumption (Approx) *Simultaneous pan & tilt move, fully loaded, without payload power	Idle	0 watts (0A)	0 watts (0A)	0 watts (0A)	7.2 watts (0.3A)
	*Continuous	95 watts (0.82A)	86 watts (3.6A) dependent on payload and controller used		110 watts (4.6A)
	*Peak				400 watts (16.5A)
	Heaters	optional 100 watts (0.87A)	optional 100 watts (4.2A)	optional 100 watts (0.87A)	100 watts (4.2A)
Regulated power to payload	Not an applicable specification for this product			1.25A @ 12 VDC	
Pass through power to payload				2 conductors, 8A ea. max.	

COMMUNICATION

Features	Model 7-58000	Model 7-59005	Model 7-59206	Model 7-7400B
Communication method to positioner	Not an applicable specification for this product			RS232/422 or Ethernet 10/100 Base-T
Protocol				Moog PTCR-20 or Pelco D (limited)
Communication to payload				RS232/422 (Tunneling)
Other pass through from base connector: (TP = twisted pair)				4 TP, signal ground
Video connection				1 SD Video

PHYSICAL PROPERTIES

Features	Model 7-58000	Model 7-59005	Model 7-59206	Model 7-7400B
Weight (w/o payload)	37 lbs. (16.8KG)	41.73 lbs. (19KG)		37 lbs. (16.8KG)
Dimensions	12.2" W x 12.4" H x 8.9" D			13.7" W x 13.5" H x 8.9" D
Drive system	PM brush motors, hardened steel worm gear drive			

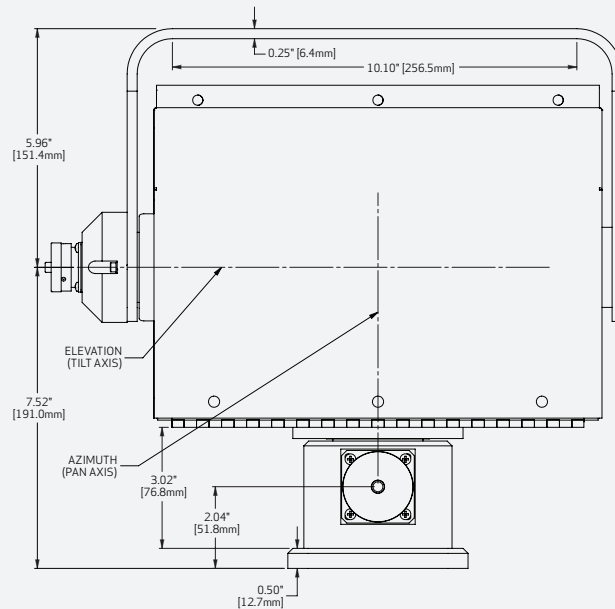
CONSTRUCTION

Features	Model 7-58000	Model 7-59005	Model 7-59206	Model 7-7400B
Material	Aluminum 6061-T6 plate, stainless steel hardware, permanently sealed radial ball bearings.			
Exterior finish	Powder coat paint (STD.), customer specified color			

ENVIRONMENTAL

Features	Model 7-58000	Model 7-59005	Model 7-59206	Model 7-7400B
Operational temperature	Not rated			-15°C to 55°C (5°F to 131°F) without heater -30°C to 55°C (-22°F to 131°F) with heater
Environmental classification	Not rated			

ARCHITECTURAL AND DIMENSIONAL DRAWING



LOCATIONS

Argentina	India	South Africa
Australia	Ireland	South Korea
Austria	Italy	Spain
Brazil	Japan	Sweden
Canada	Luxembourg	Switzerland
Finland	The Netherlands	United Arab Emirates
France	Norway	United Kingdom
Germany	Philippines	United States
	Singapore	

MOOG

SPACE AND DEFENSE GROUP

3650 Woodhead Drive Northbrook, IL, USA 60062-1895
+1.847.498.0700 Fax: +1.847.498.1258
s3insidesales@moog.com
www.moogS3.com



Moog Space and Defense



@MoogSDG



@MoogSDG



@MoogSDG



@MoogInc

Equipment described herein falls under the jurisdiction of the EAR and may require US Government Authorization for export purposes. Diversion contrary to US law is prohibited.

© 2021 Moog, Inc. All rights reserved.
Product and company names listed are trademarks or trade names of their respective companies.
Specifications are subject to change, to confirm current call +1 847.498.0700.