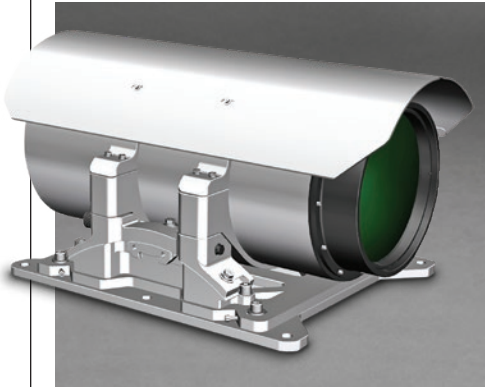


MODEL 914 RUGGEDIZED MIDWAVE INFRARED LONG RANGE CAMERA SYSTEM



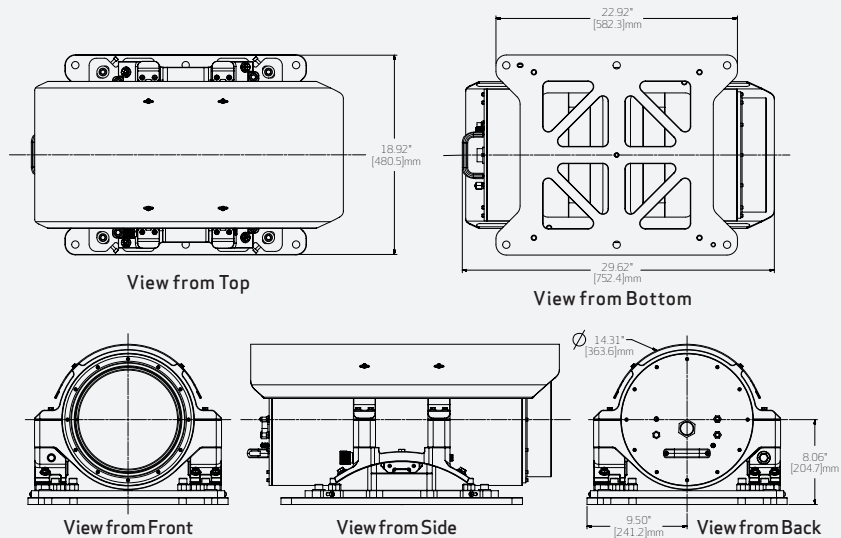
The Model 914 camera system is specifically designed for long range optical applications where precise boresighting and fine alignment are necessary. Typical uses include integration into radar, EW, weapon, surveillance and tracking systems.

The mounting system allows for an infinitely variable roll (horizon) orientation, permitting the camera to be mounted in any orientation. The integrated boresight supports ± 1.5 degrees of azimuth and elevation adjustment with better than 0.01 degree resolution. The mounting base maintains less than 0.005 inch flatness ensuring minimal impact due to tolerance stack up. The system's rigid design ensures alignment is maintained through a wide variety of environmental conditions.

The light weight carbon fiber enclosure is sealed and pressurized to keep out moisture and airborne contaminants. Internal camera and lens assemblies are protected from the effects of temperature, shock and vibration. Integrated electronics monitor and report the temperature, pressure and humidity of the internal environment. Heaters automatically maintain operational temperature in very cold environments.

The enclosure has been designed to accommodate a variety of long range midwave thermal cameras.

MODEL 914 DIMENSIONS



MODEL 914 RUGGEDIZED MIDWAVE INFRARED CAMERA SYSTEM

CAMERA SYSTEM SPECIFICATIONS

Mechanical	Value
Dimensions	30.0 x 19.0 x 15.25 inches (l x w x h)
Total Weight	120 pounds maximum ¹
Construction	Aluminum 6061-T6 and Carbon Fiber
Finish	White Aeroglaze A276 or Sand Tan CARC ²
Electrical	
Supply Voltage	110-120VAC or 208-240 VAC ²
Power Requirement	400 watts maximum ¹
Heaters	Two 150 watt, automatic
Control	RS-422 Serial (5 wire)
Video Output	HD-SDI (1080p30 or 720p60) ¹
Environmental	
Operating Temperature	-40° to +60°C (-40° to +140°F)
Storage Temperature	-40° to +70°C (-40° to +158°F)
Rating	IP67

¹ Dependent on IR camera selection

² Configured at time of order

MIDWAVE IR CAMERA OPTION #1 SPECIFICATIONS

Sensor	Value
Sensor Type	Cooled MWIR InSb
Sensor Size	1280 x 1024 pixels, 15 µm pitch
Spectral Band	3.6 to 5.0 µm with CO ₂ notch
Lens	
Focal Length	200 to 1200mm continuous zoom 0.9° to 5.5° field of view
Aperture	F5.0
Electronics	
Video Output	HD-SDI at 1080p30
Features	Local area contrast enhancement, electronic image stabilization, turbulence mitigation, super resolution, NUC with bad pixel replacement, automatic focus

MIDWAVE IR CAMERA OPTION #2 SPECIFICATIONS

Sensor	Value
Sensor Type	Cooled MWIR InSb
Sensor Size	1280 x 1024 pixels, 12 µm pitch
Spectral Band	3.6 to 5.0 µm with CO ₂ notch
Lens	
Focal Length	120 to 1200mm continuous zoom 0.72° to 7.2° field of view
Aperture	F5.0
Electronics	
Video Output	HD-SDI at 1080p30 or 720p60
Features	Local area contrast enhancement, low latency output, NUC with bad pixel replacement, automatic focus

MOOG

+1 321.435.8722
www.moogS3.com
videotracking@moog.com



Moog Space and Defense



@MoogSDG



@MoogSDG



@MoogSDG



@MoogInc

Equipment described herein falls under the jurisdiction of the ITAR and requires US Government Authorization for export purposes. Diversion contrary to US law is prohibited.

© 2021 Moog, Inc. All rights reserved.

Product and company names listed are trademarks or trade names of their respective companies.

Form 500-1290 011921